



LIGHTBODY S

Diffuser: Transparent Pink
Structure: Matte Chrome



EN

Lightbody is a piece by Jörg Hugo, a designer exploring the relationship between materiality, form, and space.

Available in floor/table and suspended versions, Lightbody's glass diffuser is completely hand made using the "free blown" glass technique. This artisanal method requires a glassmaker maestro to shape the glass without the constraints of molds, giving life to a unique and unrepeatable lamp every time.

Shielded by the glass, the light comes out with a warm, atmospheric quality. The bright bulb accentuates the unique contours of the glass with lively highlights.

Available in several color combinations both for floor/table and suspended versions, Lightbody brings a handcrafted elegance to your lighting choices.

LIGHTBODY T

Diffuser: Shaded Burgundy
Structure: Matte Black



LIGHTBODY T

Diffuser: Shaded White
Structure: Matte Black

IT

Lightbody è un pezzo di Jörg Hugo, designer emergente tedesco che esplora la relazione tra materialità, forma e spazio.

Disponibile nelle versioni da terra/tavolo e sospensione, il diffusore in vetro di Lightbody è meticolosamente realizzato a mano utilizzando la tecnica del vetro "a soffio libero". Questo metodo artigianale prevede che un maestro vetraio modelli il vetro senza i vincoli degli stampi, dando vita ogni volta ad una lampada unica e irripetibile.

La lampadina luminosa accentua i contorni unici del vetro con riflessi vivaci. Schermata dal vetro, la luce esce con una qualità calda e suggestiva.

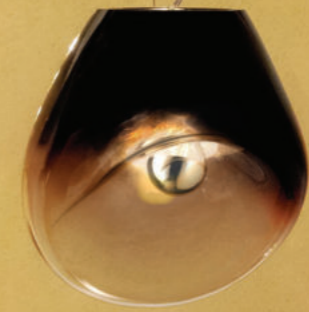
Disponibile in molteplici combinazioni di colori sia per la versione da terra/tavolo che a sospensione, Lightbody è un sinonimo di eleganza e artigianalità.



PENDANT
LIGHTBODY



LIGHTBODY S
Difuser: Transparent
Structure: Matte Chrome



LIGHTBODY S
Difuser: Shaded Burgundy
Structure: Matte Chrome



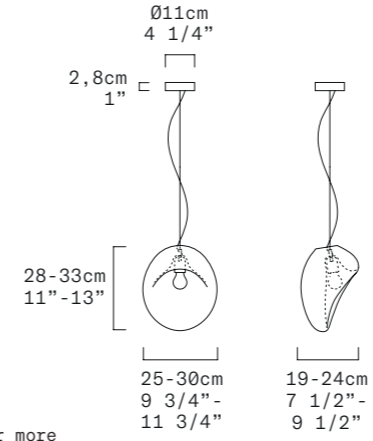
PENDANT LIGHTBODY



LIGHTBODY S
Diffuser: Transparent Pink
Structure: Matte Chrome

LIGHTBODY S - INDOOR

Jörg Hugo, 2021





Discover more

TECHNICAL SHEET

MATERIALS Diffuser: Blown Glass
Structure: Metal

DIMENSIONS Diffuser: 25-30cm H28-33cm
[9 3/4"-11 3/4" H11"-13"]
Canopy: Ø11cm H2,8cm [Ø4 1/4" H1"]
Cable length: 300 cm [118 1/8"]

LIGHT SOURCE E27 1 x 10W Retrofit LED

MARKING DRY LOCATION  

WEIGHT Net Weight: 4,1kg

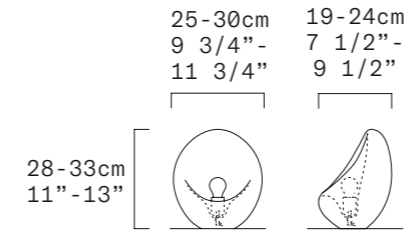
PENDANT - SOSPENSIONE



FINISH (DIFFUSER + STRUCTURE)	SOURCE	CODE
[1] Trasparent + Matte Chrome	E27	0012403
[2] Trasparent with Satin Finish + Matte Chrome	E27	0012404
[3] Shaded Burgundy + Matte Chrome	E27	0012405
[4] Shaded White + Matte Chrome	E27	0012406
[5] Trasparent Pink + Matte Chrome	E27	0012407
NOTE	Light bulb not included	

TABLE
LIGHTBODY

LIGHTBODY T - INDOOR
Jörg Hugo, 2021



Discover more

TECHNICAL SHEET

MATERIALS Difuser: Blown Glass
Structure: Metal

DIMENSIONS Difuser: 25-30cm H28-33cm
[9 3/4"-11 3/4" H11"-13"]
Cable lenght: 300 cm [118 1/8"]

LIGHT SOURCE E27 1 x 10W Retrofit LED

CONTROL On-Off

MARKING DRY LOCATION

WEIGHT Net Weight: 4,2kg



[5]

LIGHTBODY T
Diffuser: Shaded White

LIGHTBODY T
Diffuser: Transparent Satin Finish
Structure: Matte Black

LIGHTBODY T
Diffuser: Shaded Burgundy
Structure: Matte Black

CONTROL	On-Off	
	SOURCE	CODE
FINISH (DIFFUSER + STRUCTURE)		
[1] Trasparent + Matte Black	E27	0012195
[2] Trasparent with Satin Finish + Matte Black	E27	0012395
[3] Shaded Burgundy + Matte Black	E27	0012397
[4] Shaded White + Matte Black	E27	0012399
[5] Trasparent Pink + Matte Black	E27	0012401
NOTE	Light bulb not included	

STANDARD COLOR FINISHES - FINITURE STANDARD

STANDARD COLOR FINISHES - FINITURE STANDARD

STRUCTURE

STRUCTURE

DIFFUSER

DIFFUSER

DIFFUSER

DIFFUSER

Transparent

Transparent
with White
Finish

Transparent

Transparent
with White
Finish

Shaded
Burgundy

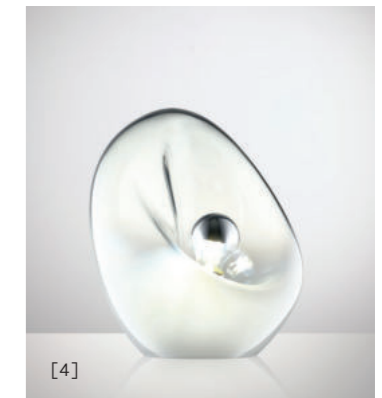
Shaded White

Shaded
Burgundy

Shaded White

Transparent
Pink

Transparent
Pink



Please, refer to the number on the pictures to match the correct code of the color finishes in the spec sheets.
Si prega di fare riferimento al numero sulle immagini per abbinare il codice corretto delle finiture colore nelle schede tecniche.